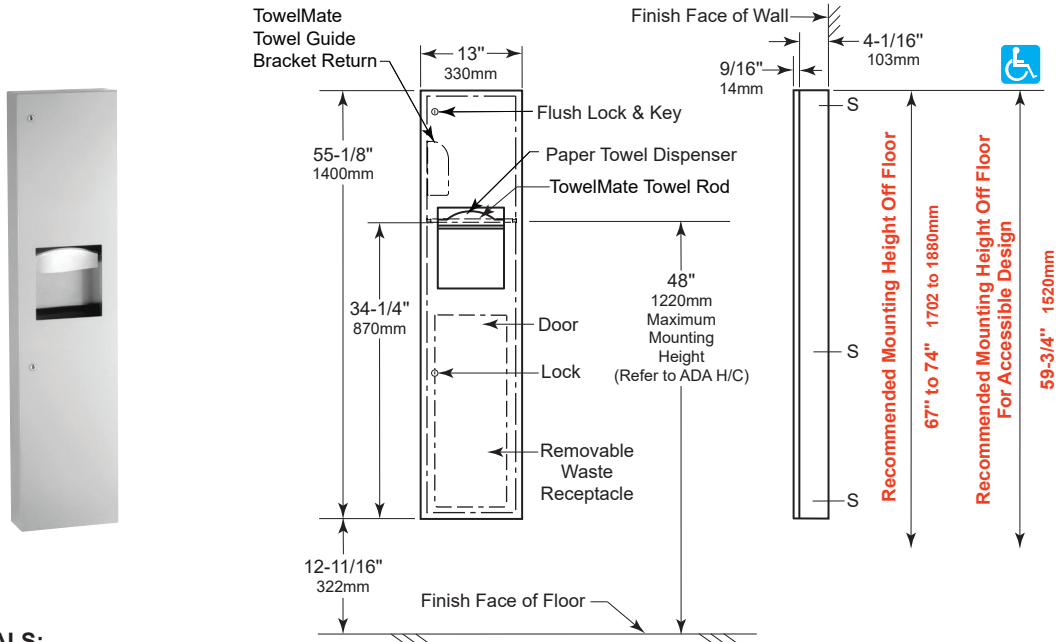




TrimLineSeries™ SURFACE-MOUNTED PAPER TOWEL DISPENSER AND WASTE RECEPTACLE

B-380349



MATERIALS:

Cabinet & Flange — 18-8, Type-304, heavy-gauge stainless steel. All-welded construction.

Skirt — 18-8, Type-304, 22-gauge (0.8mm) stainless steel with satin-finish.

Door — 18-8, Type-304, 18-gauge (1.2mm) stainless steel with satin-finish. 9/16" (14mm) 90° return for maximum rigidity. Secured to cabinet with a concealed, full-length stainless steel piano-hinge. Equipped with a stainless steel cable door-swing limiter and two tumbler locks keyed like other Bobrick washroom accessories. Tumbler locks flush with the door - no protrusion.

Paper Towel Dispenser — 18-8, Type-304, 22-gauge (0.8mm) stainless steel. Rounded towel tray has hemmed opening to dispense paper towels without tearing. Capacity: 600 C-fold or 800 multifold paper towels. Unit equipped with TowelMate consisting of a 90° return towel guide angle inside cabinet to prevent paper towels from falling forward out when door is opened for servicing.

TowelMate® Towel Rod Assembly — Consisting of a round Nylon Rod and (2) stainless steel Rod Screws for attachment, is field replaceable. Stainless steel Stop Screws (2) lock TowelMate Rod assembly in place. To retrofit TowelMate into existing install units manufactured prior to Feb. 2021, order TowelMate Accessory Bobrick Model No. 3944-130.

Waste Container — Removable, leak-proof, rigid molded plastic. Capacity: 3.8-gal. (14.4-L).

OPERATION:

Paper towel dispenser is adjustable to dispense C-fold, multifold, or singlefold paper towels without use of additional adapters or towel trays. To service waste receptacle, unlock door with key provided and remove waste container. Cable door-swing limiter prevents damage to washroom accessories and walls.

INSTALLATION:

Mount unit on wall with six #8 x 1-1/4" (4.2 x 32mm) sheet-metal screws (not furnished) at points indicated by an S. For plaster or dry wall construction, provide concealed backing to comply with local building codes, then secure unit with sheet-metal screws. For other wall surfaces, provide fiber plugs or expansion shields for use with sheet-metal screws, or provide 1/8" (3mm) toggle bolts or expansion bolts. If unit projects above top of wainscot, provide aluminum channel or other filler to eliminate gap between cabinet and finish face of wall.

SPECIFICATION:

Surface-mounted paper towel dispenser and waste receptacle shall be Type-304 stainless steel with all-welded construction; exposed surfaces shall have satin-finish. Unit equipped with TowelMate consisting of a 90° return towel guide angle inside cabinet to prevent paper towels from falling forward out when door is opened for servicing and a Nylon Rod across the center of the towel tray to dispense paper towels one at a time. Door shall be 18 gauge (1.2mm); have 9/16" (14mm) 90° return; be secured to cabinet with a concealed, full-length stainless steel piano-hinge; and equipped with a stainless steel cable door-swing limiter and two tumbler locks keyed like other Bobrick washroom accessories. Tumbler locks flush with the door - no protrusion. Paper towel dispenser shall dispense 600 C-fold or 800 multifold paper towels. Waste receptacle shall be furnished with a removable, leak-proof, rigid molded plastic waste-container with a capacity of 3.8-gal. (14.4-L).

Surface-Mounted Paper Towel Dispenser And Waste Receptacle shall be Model B-380349 of Bobrick Washroom Equipment, Inc., Clifton Park, New York; Jackson, Tennessee; Los Angeles, California; Bobrick Washroom Equipment Company, Scarborough, Ontario; Bobrick Washroom Equipment Pty. Ltd., Australia; and Bobrick Washroom Equipment Limited, United Kingdom.